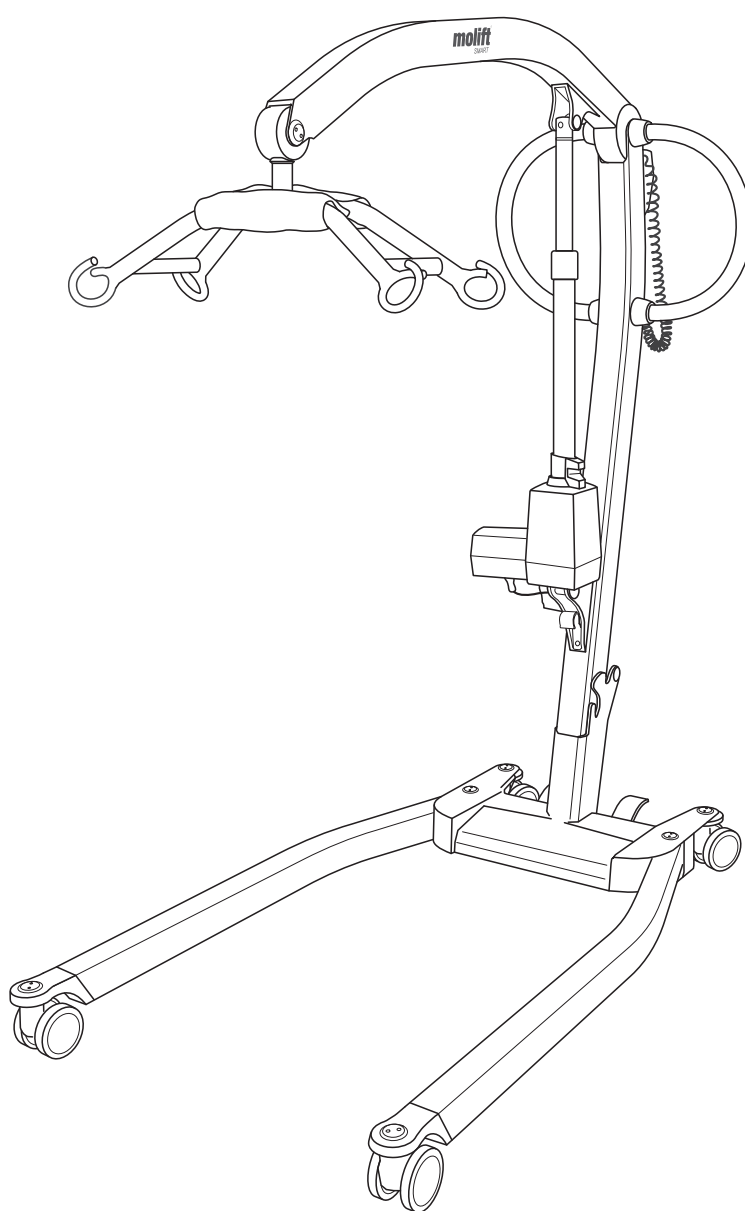


Molift Smart 150

EN - User manual

molift[®]
a part of Etac

BM09201 Rev. F 2016-04-01



English manual


Content

Molift Smart 150	2
Lifter components.....	2
About Molift Smart 150.....	2
General.....	3
Declaration of conformity.....	3
Conditions for Use	3
Warranty	3
Product identification.....	3
Technical Data.....	4
Assembly	5
Battery and hand control	5
Folding.....	5
Checklist after assembly.....	5
How to use Molift Smart 150	6
Before use / Daily check	6
Hand control	6
Safety devices	7
Pull handles	7
Brakes	7
Emergency Stop / Emergency lowering....	7
Electronics.....	8
Transport and Operating Conditions.....	8
Batteries	8
Battery and Service indicator	8
Service Scope	8
Charging	9
Transfer.....	10
Using Slings	10
Lifting and lowering.....	10
Transfer	11
Lowering into sitting	11
Accessories	12
Slings	12
Transport/Storage	12
Maintenance	13
Cleaning and disinfection	13
Reconditioning.....	13
Recycling	13
Spare Parts	13
Periodic Inspection	13
Periodic Inspection Scope	13
Troubleshooting	14


Important

This user manual contains important safety instructions and information regarding the use of the lifter and accessories.

In this manual the user is the person being lifted. The assistant is the person operating the lifter.



Warning!
This symbol indicates important information related to safety. Follow these instructions carefully.

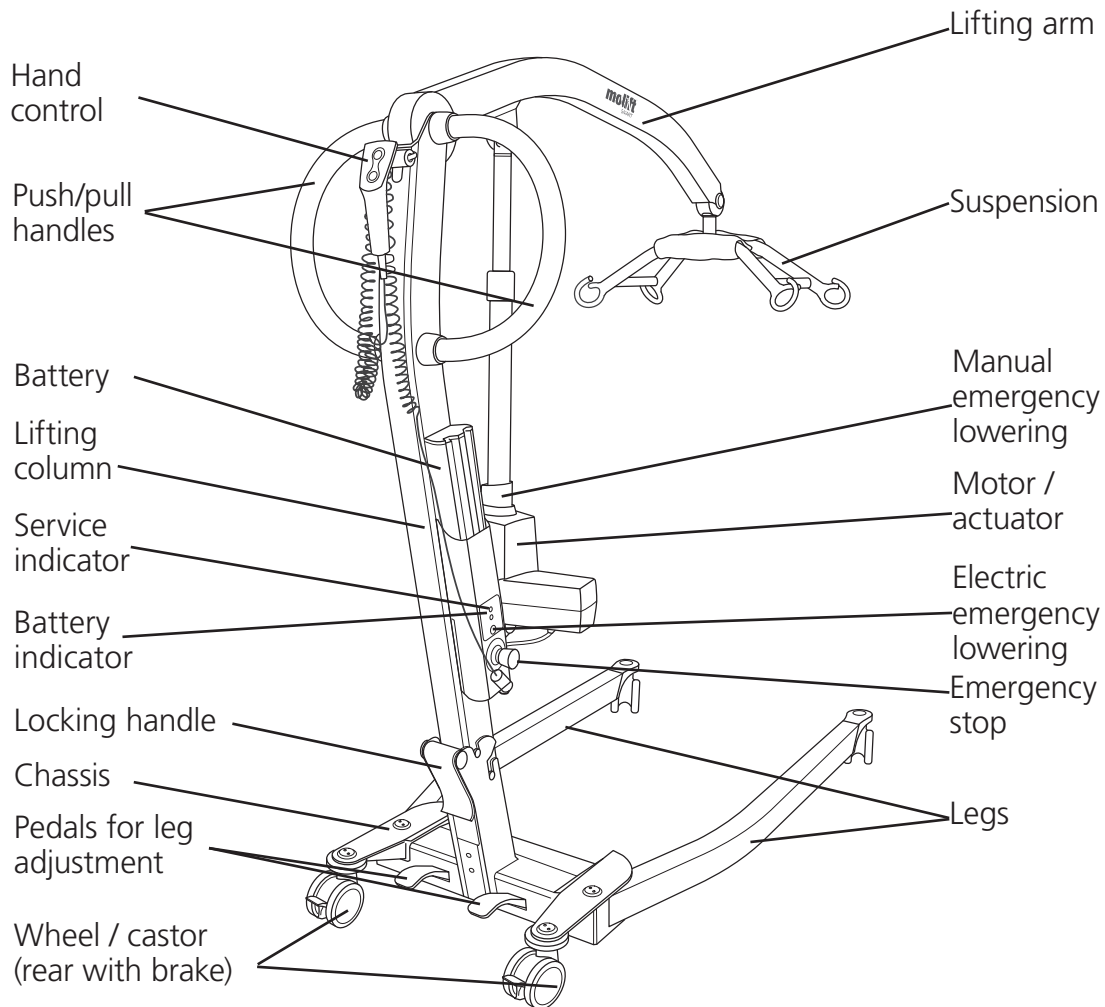


Read User Manual before use!
It is important to fully understand the content of the user manual before attempting to use the equipment.

Visit www.etac.com for download of documentation to ensure you have the latest version.

Molift Smart 150

Lifter components:



About Molift Smart 150

Molift Smart 150 is a foldable mobile lifter intended for lifting and transferring a person from/ to bed, floor, chair, wheelchair or toilet with a sling. The lifter is made of light-weight materials, has castors and electric actuator and is powered by a battery. It has manual adjustable legs and a lifting capacity of 150 kg (330 lbs).

It is ideal for hospitals and institutional care settings, and can also be used in privates homes. The lifter should only be used for transfers across short distances, such as between a chair and a bed or into bathroom / rest room. The lifter is not intended to transport the user over longer distances.

General

Declaration of conformity



The Molift Smart 150 and related accessories described in this operator manual are CE marked in accordance with EU Council Directive 93/42/EEC concerning medical devices, class 1, and has been tested and approved by a third party according to standards IEC 60601-1, IEC 60601-1-2 and NS-EN ISO 10535:2006.

Conditions for use

Lift and transfer of a person will always pose a certain risk, and only trained personnel are allowed to use the equipment and accessories covered by this user manual.

Modifications and use of components made by other manufacturers.

We recommend only using Molift components and spare parts. Declaration of conformity is not valid and Etac is not responsible for warranty if any modifications are made to the product. Etac shall not be liable for faults or accidents that can occur when using components made by other manufacturers.



Only certified personnel are allowed to open lifter or accessories to perform service or repair. Risk of injury from rotating parts and electric shock.

The lifter is not intended to be operated by the person being lifted.

Warranty

2-year warranty against defects in workmanship and materials of our products.
For Terms and conditions, see www.etac.com

Product identification

Product label

The Product labels barcode contain article number, serial number and production date.



Type BF applied part



CE marked



Refer to user manual



Indoor use only



Do not dispose in general waste



Emergency lowering



Service light



Battery light



Certification body mark

Warning labels and symbols

Symbols used on the product, explained in more detail:

Technical data

Safe Working Load (SWL)

150 kg (330 lbs)

Weight of unit

Ex. battery: 25 kg / incl. battery: 25,8 kg

Battery:

Art: 0541000
14.4 V NiMH 2.6 Ah

Battery charger:

100-240 V AC, 50-60 Hz
0,9 A output

Lifting speed

50,7 mm/second (1.99 inches/second)
with 75kg (165 lbs) load

Protection class

Hand control IP24
Lift motor IP24

Maximum A-weighted sound power level

$L_{WA} = 49,4$ dB

Operating forces button

Buttons on handset: 3.4 N

Material:

Aluminum, plastic, steel

Motor

Lifting motor/actuator: 12 V DC

Turning diameter:

1300 mm (51,2 inches)

Number of lifts with fully charged battery:

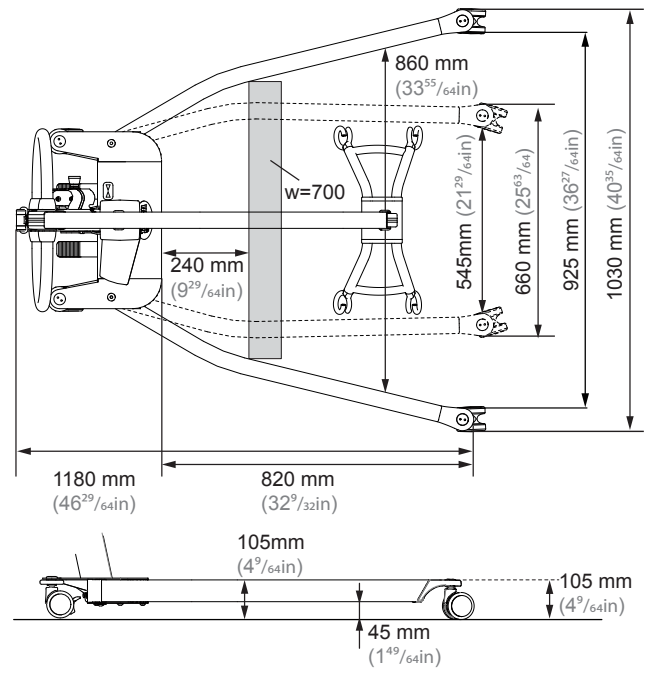
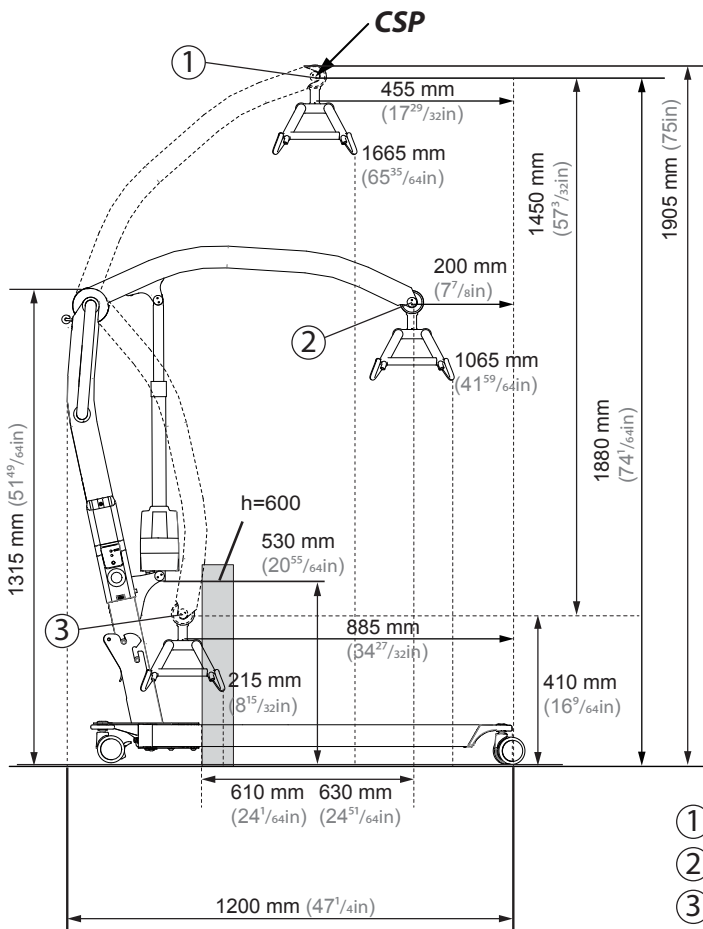
40 lifts (75 kg / 165 lbs, 50 cm / 20 inches)

Expected Lifetime:

The lifter has an expected lifetime of 30 000 cycles or 10 years.

Measurements folded (LxWxH):

1160 x 475 x 355mm (45.66 x 18.7 x 14")

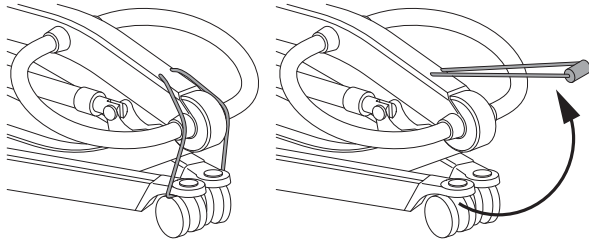


- ① Highest position: 1860 mm (73¹⁵/₆₄in)
- ② Max reach: 1260 mm (49³⁹/₆₄in)
- ③ Lowest position: 400 mm (15³/₄in)

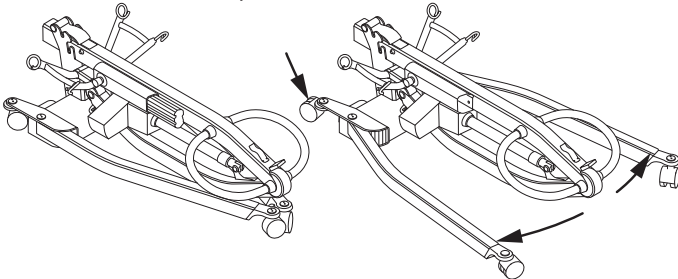
Assembly

Charge the battery. The battery must not be in the battery holder on the lifting column during assembly or folding.

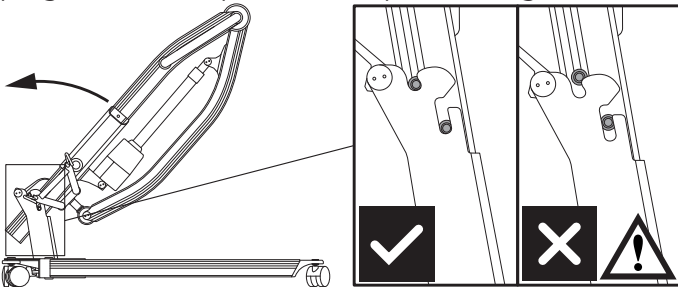
Assembly



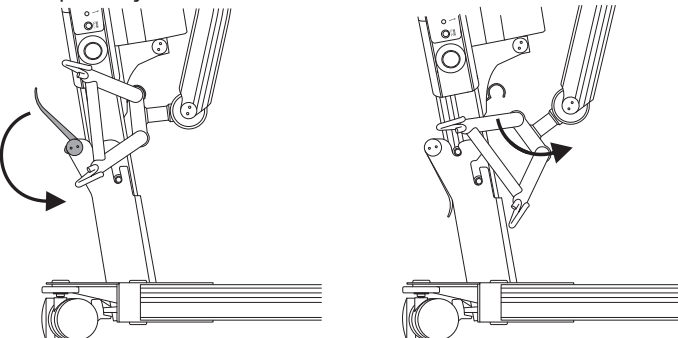
Remove the transport elastic band.




Engage the break on the rear castors by stepping on the left pedal set. Open the legs.



Lift up the lifting column and slide it down into the bracket on the chassis. Make sure it is placed completely in the bottom of chassis.

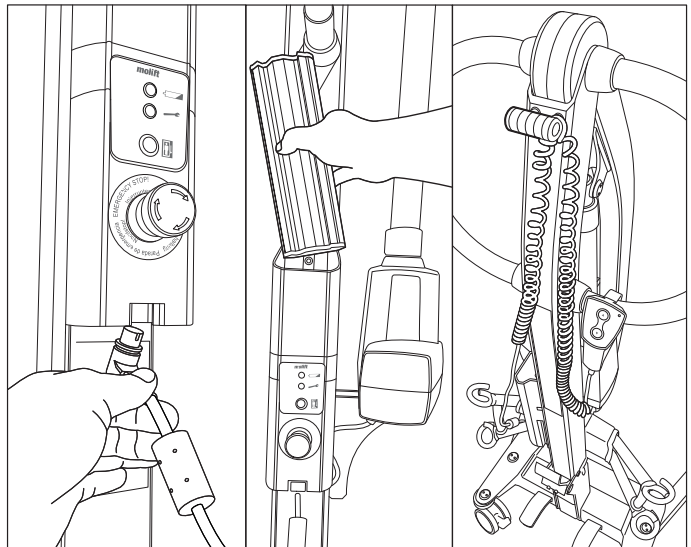


The column must be fixed with the locking handle on the back of the chassis. Pull the suspension out of the transport hook



Be careful not to get legs/arms/hands caught between the parts when raising/folding down the lifting column.

Battery and Hand control




1. Connect hand control to bottom of battery holder.
2. Insert battery with terminals facing down.
3. Pull out elastic band and guide hand control through. Pull some of the cable through so the hand control does not fall to the floor when dropped.

Folding (Transport mode)

Run the lifting arm all the way down, and remove battery. Fold the lifter in reverse order of assembly. Fix the suspension back into the hook.

It is possible to split the lifter into two separate parts by lifting the column from the chassis completely.

Checklist after assembly



Do not use the product until you have checked all points in the checklist below

Use this checklist to verify that the lifter is properly installed and can operate correctly and safely before use.

- Ensure that the lifting arm, lifting column and suspension are properly fixed and that there are no loose parts on the lifter.
- Make sure battery is charged (no lights on the battery indicator).
- Check that the lifter has no apparent damage or other faults.
- Perform a lift with load (approximately 50 kg)

How to use Molift Smart 150

General safety precautions

Use only accessories and slings that are adjusted to fit the user, type of disability, size, weight and type of transfer.

Working pause ratio/Duty Cycle.

Molift Smart 150 should not be run constantly for more than 2 minutes (with maximum load), and rest for minimum 18 minutes.
Duty cycle 10% intermittence.

Safe working load (SWL)

The lifter is marked with Safe Working Load (SWL)



The lowest SWL shall always be used if safe working load (SWL) differs between lifter, suspension and body support unit



Molift lifters shall only be used to lift persons. Never use the lifter to lift or move objects of any kind.

Before use / Daily check / Monthly

Inspection to be performed daily or before use:

- Make sure lifter has no visible damage, defects or deformations
- Make sure battery indicator is not illuminated and service indicator is green
- Make sure wheels are rolling freely and lifter is easy to manoeuvre

Inspection to be performed monthly:

- Test all the lifters functions and make sure lifter does not make any abnormal sounds
- Test emergency stop button and emergency lowering

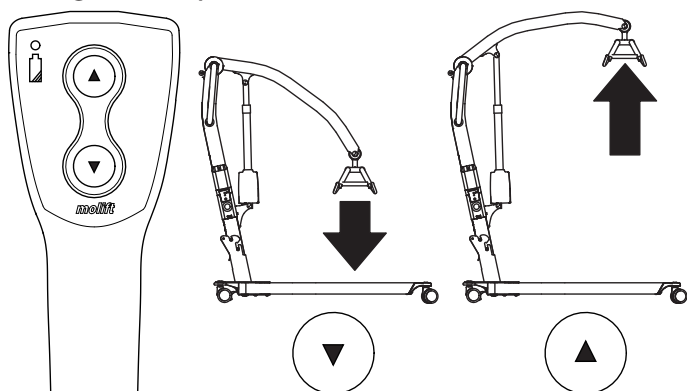
If there are any faults or defects, the lift needs to be taken out of operation and marked "out of order"

Hand control

The hand control has 2 buttons, one for lifting and another for lowering of lifting arm. The hand control has an indicator that will illuminate when battery level is low and the battery requires charging.

Hand Control 2 buttons
Art. no. 0440002

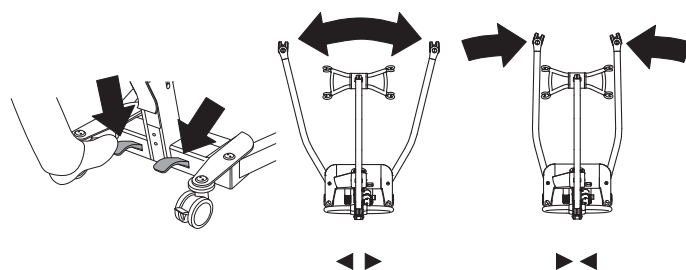
Lifting Arm - Up / Down



Leg spread mechanism is mechanical, and operated by two pedals. One pedal for legs inwards and one pedal for legs outwards. Step on selected pedal to open or close legs.

Legs - In / Out

NB! Open legs provides increased stability and better access to chair or toilet.



Safety devices

Molift Smart 150 is equipped with several safety devices, which are intended to prevent damage to personnel and equipment in the case of incorrect use.

The lifter has an overload sensor preventing the lifter to be operated if the load exceeds SWL.

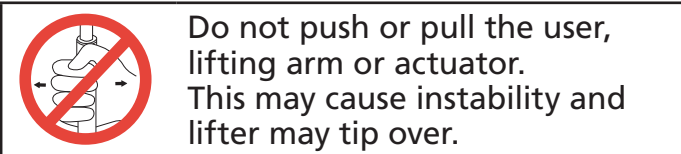
The lifting arm is hinged to prevent the arm and suspension from squeezing the user. The actuator will not produce any force when moving downwards.

The legs are folded together during transport to make the lifter as small as possible. When assembling the lifter, the legs must be opened to working position. The lifting column will not fix into the bracket if the legs are not adjusted beyond transport position - a safety feature ensures this.

The electronics are disabled if overheated. Wait until the lifter has cooled down before using it again.

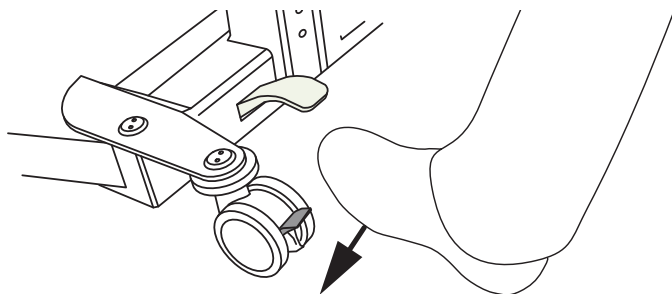
Push / Pull handles

Use the pull handles to move the lifter.



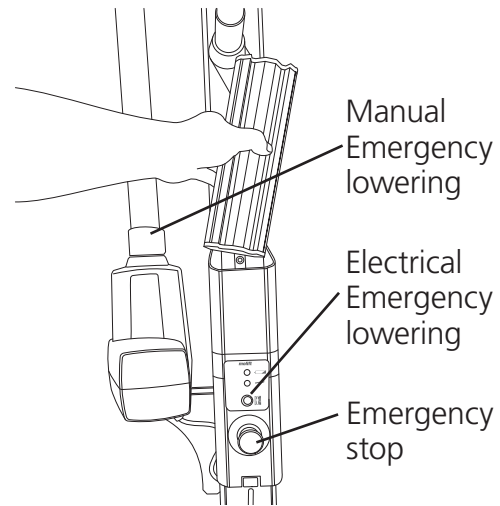
The lifter shall only be used for movement over short distances. It is not a replacement for wheelchair or similar.

Brakes



Rear castors are equipped with brakes. Step on pedal to lock brakes. Flip up to unlock.

Emergency Stop / Emergency lowering



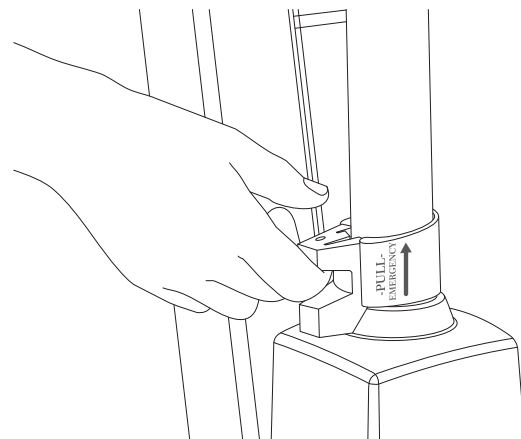
Emergency stop

The emergency stop shuts off the power when pushed in. Turn clockwise to reset (OK to operate when the green ring is visible).

Electrical emergency lowering

Push and hold button for electrical emergency lowering to lower lifting arm. The electrical emergency lowering function does not work when the emergency stop is activated.

Manual emergency lowering



Pull handle on the actuator upwards to start emergency lowering, and the lifting arm moves downwards when loaded. The lowering will increase in speed the higher the handle is pulled. Release the handle gently. Releasing the handle too quickly may cause person injury or damage to the lifter.

The manual emergency lowering function on the actuator should only be used when the electrical emergency lowering does not work.

Electronics

Transport and operating conditions

Transport and storage

For long time storage it is recommended that the emergency stop button is activated (pushed in). The lifter can be stored and transported under temperatures between -25 - 70 °C.

Operating

The lifter is designed for use at standard room temperatures (+5 to +40°C).

Air pressure: 70 - 106 kPa

Relative humidity: 15 - 93 %

Following storage or transport at other temperatures leave the lifter in a room with a suitable temperature until it reaches a safe operating temperature.



Medical electrical equipment requires special precautions regarding electromagnetic compatibility (EMC). Portable or mobile radio communication equipment may affect the medical electrical equipment, and should be kept minimum 25 cm (10 inches) from the lifters electronics.

Battery

Molift Smart 150 is equipped with a 14.4 V 2.6Ah NiMH battery. The battery has a life expectancy of approx. 500 charging cycles.





Used batteries must be disposed of as special waste according to local rules and regulations. Do not dispose in general waste



Batteries must be fully charged and drained completely a couple of times before it achieves full capacity. Also follow this procedure if the lifter has not been in use for a long period (4 weeks or more)

Battery and service indicator (LED)

The lifter has two indicator lights on battery holder.

	Service indicator
	Battery indicator

The electrical system has a power save function which will turn off the electrical system after ten minutes without activity. All lights will turn off. The system is activated when pushing one of the operating buttons

Battery indicator (LED)

The battery indicator (LED) will illuminate and make a sound when battery level is low and the lifter requires charging. When this occurs the lifter will have sufficient power available for one full lifting cycle with max load. When battery is critically low it is only possible to lower the lifting arm.

Service indicator

Number of lifts performed is calculated and recorded by the lifters electronics.

After a certain period of operation a signal is given to indicate that service is required.

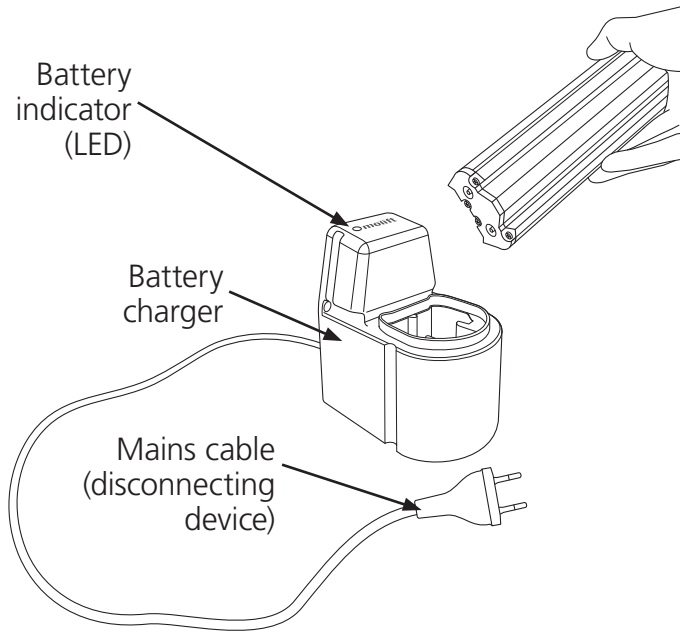
Service indicator	Mode
No light	Power saving (Stand by)
Green	Ready for use
Yellow	Order service
Red	Perform service
Red + sound	Perform service immediately

Service scope

Service involves replacing the lifting motor and inspection/replacement of worn parts. This must be carried out by authorized personnel.

Service is needed when the service light is red (calculated 10.000 lifts in SWL.)

Charging



Battery charger

The battery charger can be used as a tabletop charger or mounted to a vertical wall surface close to a power outlet, minimum 120 cm above the floor. The charger has to be used outside the patient environment. The Charger must be placed or installed in a way that makes it easy to disconnect mains cable plug. Take care not to damage the cable. The charger can be connected to the power outlet at all times.

Battery charger 12-24V
 Art. no. 1340100
 PowerPac 14,4 V NiMH
 Art. no. 0541000

Charger indicator

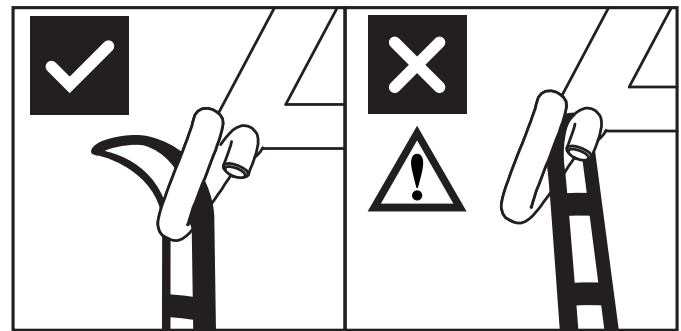
Description of battery indicator (LED):

LED	Mode
Yellow	Ready for use, no battery connected
Yellow blinking	Initialization
Red	Fast Charge
Green/Yellow	Top-off charge
Green	Trickle charge
Red/Green	Error

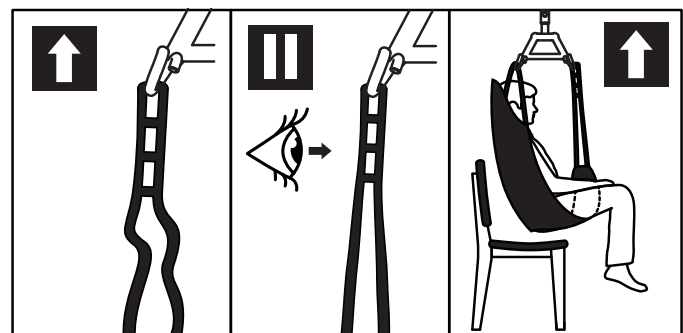
Transfer

Plan the lifting operation in advance to ensure that it is as safe and smooth as possible. Remember to work ergonomically. Assess the risks and take notes. The assistant is responsible for the safety of the user.

Molift Smart 150 has a 4-point suspension for different types of transfers; sitting, recumbent or ambulating.



The suspensions hook design prevents sling to be inadvertently detached when mounted correct.



1. Check that the sling is correctly fitted around the user and that the strap loops are correctly fitted to the suspension hooks.
2. Stretch the sling straps without lifting the user. Ensure that all four loops of the sling are securely fastened to avoid the user slipping or falling.
3. Lift user, and perform transfer.

Using slings

It is important that the sling has been tested with the individual user and for the intended lifting situation.



Read user manual for the sling prior to use.



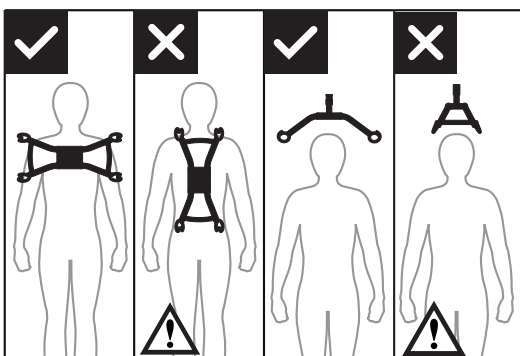
Do not to use damaged or badly worn slings.

Slings made by other manufacturers

We recommend only using Molift slings. Etac shall not be liable for faults or accidents that can occur when using slings made by other manufacturers.

Lifting and lowering

When moving the user, stand to the side of the person you are lifting. Make sure that arms and legs do not obstruct the seat, bed, etc. Keep eye contact with the user to help them feel safe.





The 4-point suspension must always be positioned across the user, to prevent the user from unintentionally sliding out of the sling.

Transfer




Try to position the user as low as possible (preferably resting the feet on the chassis) when transferring the lifter with a suspended user. In this way the centre of gravity will be low and reduce the risk of instability.

 **Never lift the user higher than necessary to carry out a lift. Remember that wheels on a mobile lift must NOT be locked.**

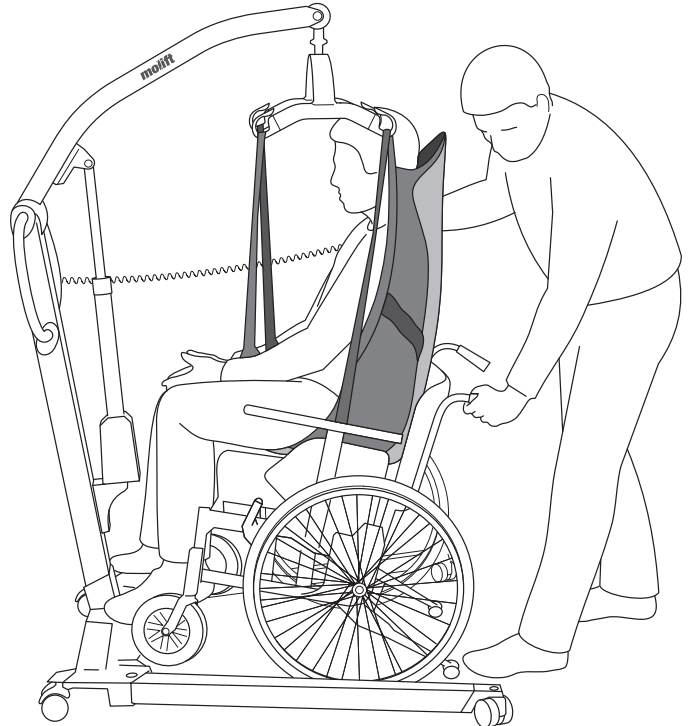
 **Never leave a user unattended in a lifting situation.**

Be careful during movement, the suspended user may swing during turns, stops and starts. Be careful when manoeuvring close to furniture to prevent the suspended user from colliding with these objects.

 **The lifter shall not be used to lift or move users on sloping surfaces**


Avoid deep pile carpets, high thresholds, uneven surfaces or other obstacles that may block the castors. The lifter may become unstable if forced over such obstacles increasing the risk of tipping over.

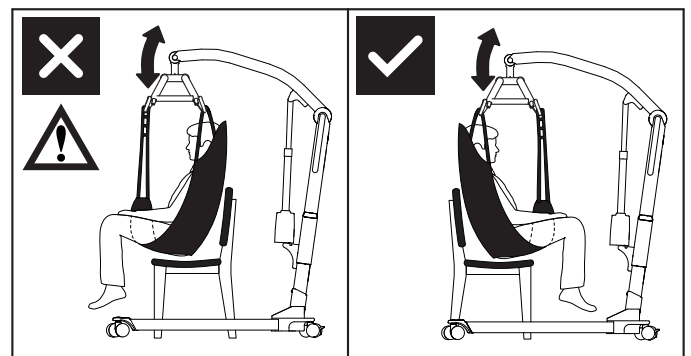
Lowering into sitting



When transferring the user into sitting, the following techniques can be used when lowering the user as far back into the seat as possible:

- A Position the user with the help of the push handle
- B Push gently on the users knees
- C Tilt the seat backwards

 **User must be facing lifter when lifting or lowering from or into a chair.**



Accessories

Recommended optional equipment and accessories for Molift Smart 150.

Slings

Etac supplies a wide selection of slings for different types of transfers.

The Molift RgoSling sling series is developed to be combined with a 4-point suspension but the sling also works with a 2-point suspension.

See the combination list in the slings user manual for the correct sling and suspension combination.

The Molift RgoSling sling series is available in sizes XXS – XXL, in polyester and polyester mesh.

Rgosling Mediumback Padded (XS-XXL)

Rgosling Highback Padded (XS-XXL)

Rgosling Mediumback Net (XXS-XXL)

Rgosling Highback Net (XXS-XXL)

Rgosling Toilet Lowback (XXS-XXL)

Rgosling Toilet Highback (XXS-XXL)

Rgosling Ampu Mediumback (XXS-XXL)

Rgosling Ampu Highback (XXS-XXL)

Rgosling Ambulating Vest

Rgosling Comfort Highback (S-L)

Accessories:

Rgosling Extension Loops

Art. no.: 1721600

Rgosling Ambulating Vest Groin strap (XXS-XL)

Transport/Storage

Travel Suitcase for Molift Smart 150

Art. no. 0990200

This hard shell suitcase provides additional protection when transporting by air. It is TSA approved for air travel and ideal for the client with an active life.

Travel Bag for Molift Smart 150

Art. no. 3049175

The soft shell travel bag has extra large transport wheels. It protects the lift, and enables easy transporting.

Maintenance

Cleaning and disinfection

Clean on a regular basis. Clean surfaces with a damp cloth using an appropriate pH-neutral detergent. Do not use solvents or strong liquids, this may damage surfaces on the lifter. For disinfection when needed; use isopropyl alcohol. Avoid abrasive cleaning products. Remove hair and pile from the castors and verify that the castors rotates freely. Clean contact and hand control with isopropyl alcohol to remove grease and dirt. Check emergency stop and emergency lowering after cleaning. The lift should not be exposed to running water.



Make sure not to damage or remove labels when cleaning.

Reconditioning

Follow cleaning and assembly procedure, complete periodic inspection and use checklist after assembly to recondition the lifter.

Recycling

Refer to "Recycling instructions" for how to properly dispose of product. This can be found on www.etac.com.

Spare parts

A list of spare parts is available on request.

Periodic inspection

Periodic inspection scope

Periodic inspection is a visual examination (particularly of the lifter's load bearing structure and lifting mechanism with attachments, brakes, controls, safety devices and person-support devices) according to Periodic inspection report for Molift Smart 150. This can be found on www.etac.com.



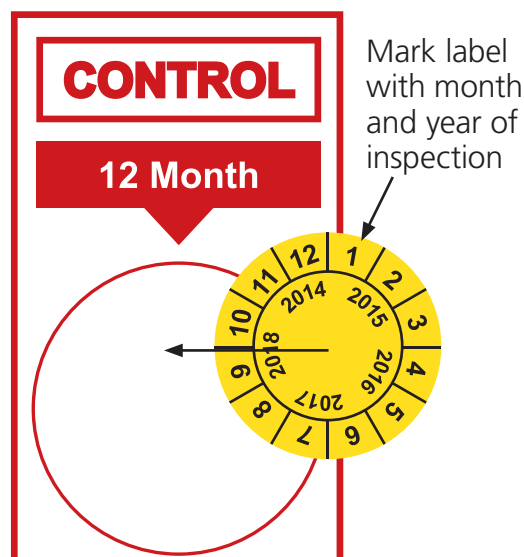
If there is any problems with the lifter that could jeopardize someones safety, the lifter shall immediately be taken out of service and marked "out of order". Do not use the lifter until it is repaired.

Periodic inspection shall be performed annually or more frequently if required by local requirements. The inspection must be performed by service personnel authorized by Etac. Contact Etac at molift@etac.com for training and authorization or recommendation of an approved service partner.

When performing a periodic inspection, the inspector shall fill out the inspection report for Molift Smart 150. The reports should be retained by the person(s) responsible for servicing the lifter.

If the inspection reveals defects and damages, the owner shall be notified.

When periodic inspection is completed the inspector shall mark the lifter with a sticker on the control label showing the date when periodic inspection is performed and a label (with 6-digit ID from Etac or distributor) showing who has performed the periodic control. The control label can be found on the right side of the battery holder, and this will then indicate the date when next inspection is due.



Troubleshooting

Symptom	Possible cause / action
The lifting column is wobbly	The lifting column is not correctly positioned in the chassis. Assemble column and chassis, and lock column by the locking handle on the chassis.
The lifter moves unevenly on a plane surface	The castors move unevenly because of pile and dust. Clean the castors. Remove hair and dirt.
The lifting arm moves uncontrolled.	Short circuit between hand control and lifter. Clean hand control plug surfaced with alcohol to remove grease.
	Defective hand control. Replace hand control.
	The control electronics has failed. Contact local representative for service.
The lifting legs move uncontrolled.	The leg opening mechanism has failed. The product is unsafe to operate . Contact local representative for service
The lifter does not respond to hand control action / The lifting arm does not move.	Emergency stop button is activated. Turn button clockwise to reset emergency stop.
	Battery is empty. Change or charge battery.
	The lifters electronics is overheated. Wait for it to cool down.
	The lifter is overloaded. Make sure the load does not exceed SWL.
	Hand control is not plugged in properly. Plug in Hand control properly. Hand control, plug or cord can be broken an should be replaced.
	Defective control electronics. Contact local representative for service.
Battery does not charge	Faulty battery. Check indicators on charger when charging. Try another battery.
	Faulty battery charger. Check indicators on charger when charging. Try another charger.

Etac AS
Etac Supply Gjøvik
Hadelandsveien 2, 2816 Gjøvik, Norway
Tel +47 4000 1004
molift@etac.com www.etac.com

molift[®]
a part of Etac